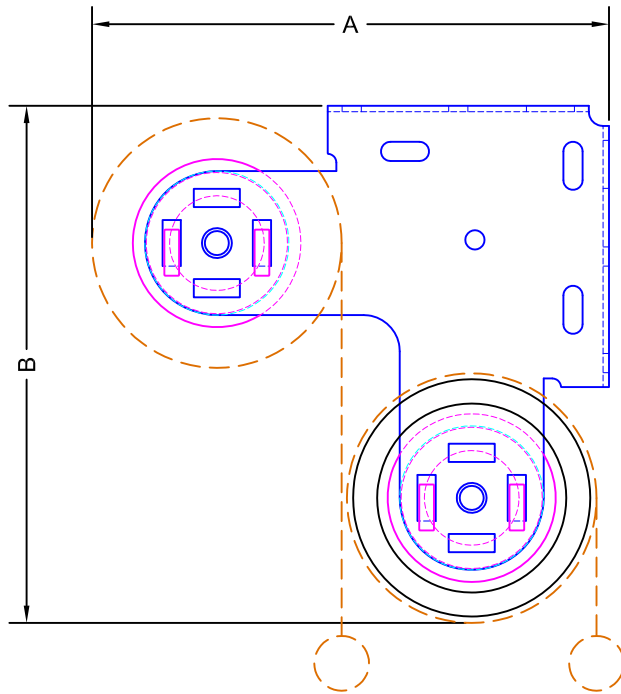
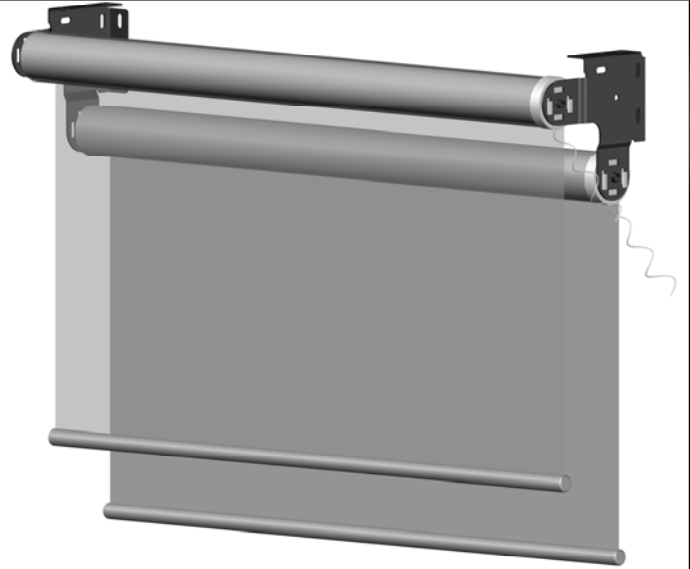
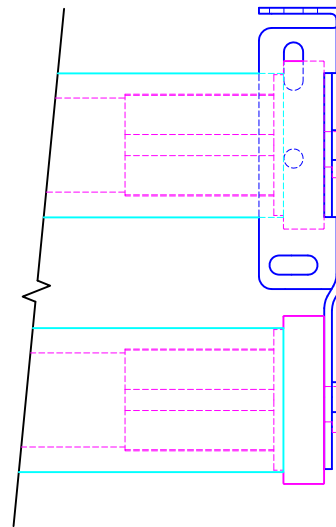


TOP VIEW



SIDE VIEW



FRONT VIEW

SHADE HEIGHT	A	B
36"	± 5.06"	± 5.06"
48"	± 5.13"	± 5.13"
60"	± 5.20"	± 5.20"
72"	± 5.26"	± 5.26"
84"	± 5.31"	± 5.31"

NOTE: DIMENSIONS BASED ON PHIFER SHEARWEAVE 4000 FABRIC

**LEGEND**

- 5" 45° DUAL BRACKET
- LT30 MOTOR
- 1.5" ALUMINUM TUBE
- - - FABRIC W/ BOTTOM RAIL



3117 NW 25th Ave, Phone: 954.974.0525  
 Pompano Beach, FL 33069 Fax: 954.974.0529

DESCRIPTION:

**LT30 MOTORIZED SHADE**

\*SHOWN ON 5" 45° DUAL SHADE

SCALE: 6" = 1'-0"

DATE: 7/10/2012

SHEET NO:

**R-10.11**