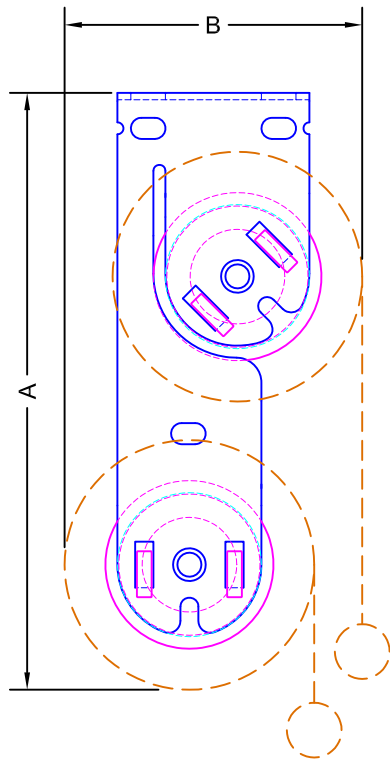
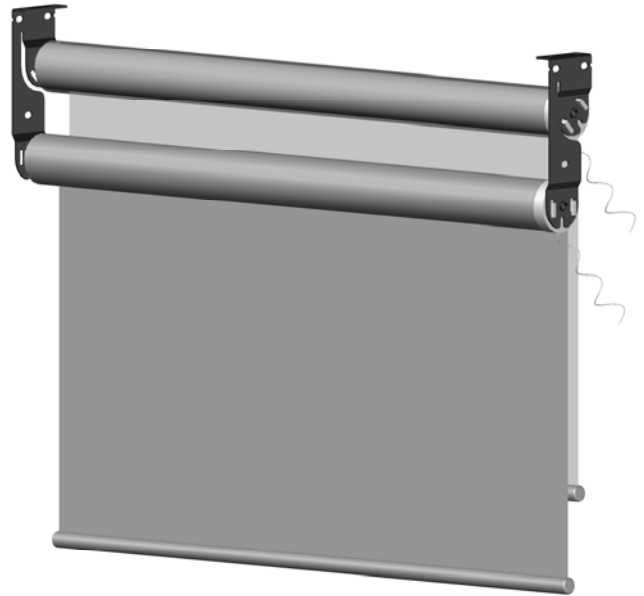
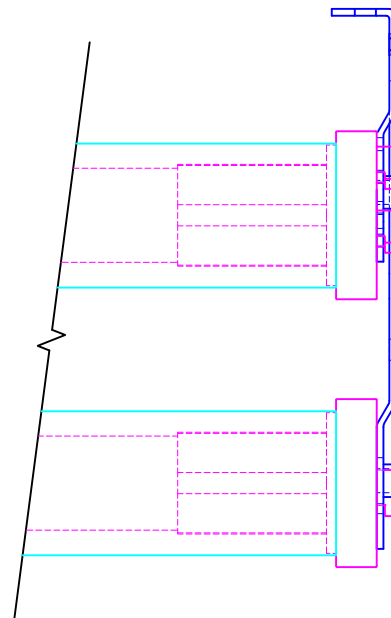


TOP VIEW



SIDE VIEW



FRONT VIEW

SHADE HEIGHT	A	B
48"	± 5.96"	± 2.61"
60"	± 6.03"	± 2.74"
72"	± 6.09"	± 2.86"
84"	± 6.14"	± 2.97"
96"	± 6.20"	± 3.08"
108"	± 6.25"	± 3.18"

NOTE: DIMENSIONS BASED ON PHIFER SHEARWEAVE 4000 FABRIC

LEGEND

- DUAL VERT. BRACKET
- LT30 MOTOR
- 1.5" ALUMINUM TUBE
- FABRIC W/ BOTTOM RAIL



3117 NW 25th Ave, Phone: 954.974.0525
 Pompano Beach, FL 33069 Fax: 954.974.0529

DESCRIPTION:

LT30 MOTORIZED SHADE

*SHOWN ON DUAL VERTICAL SHADE

SCALE: 6" = 1'-0"

DATE: 7/10/2012

SHEET NO:

R-10.12