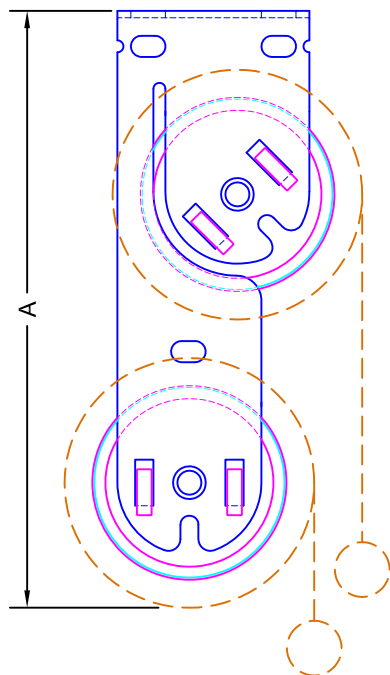
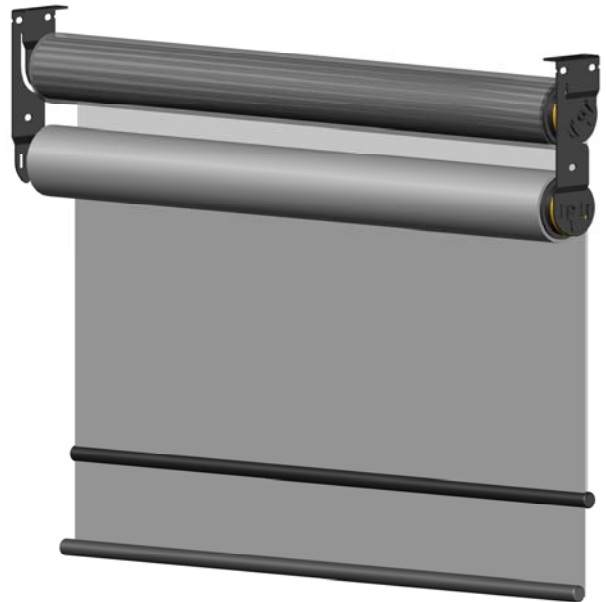
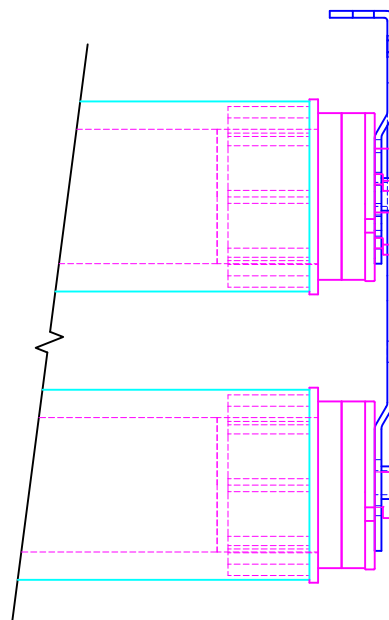


TOP VIEW



SIDE VIEW



FRONT VIEW

SHADE HEIGHT	A
48"	± 6.15"
60"	± 6.21"
72"	± 6.26"
84"	± 6.31"
96"	± 6.36"
108"	± 6.40"

NOTE: DIMENSIONS BASED ON PHIFER SHEARWEAVE 4000 FABRIC

LEGEND

- DUAL VERT. BRACKET
- ALTUS40 MOTOR
- 2" ALUMINUM TUBE
- - - FABRIC W/ BOTTOM RAIL



3117 NW 25th Ave, Phone: 954.974.0525
 Pompano Beach, FL 33069 Fax: 954.974.0529

DESCRIPTION:

**ALTUS40
 MOTORIZED SHADE**

*SHOWN ON DUAL VERTICAL SHADE

SCALE: 6" = 1'-0"

DATE: 7/10/2012

SHEET NO:

R-11.12