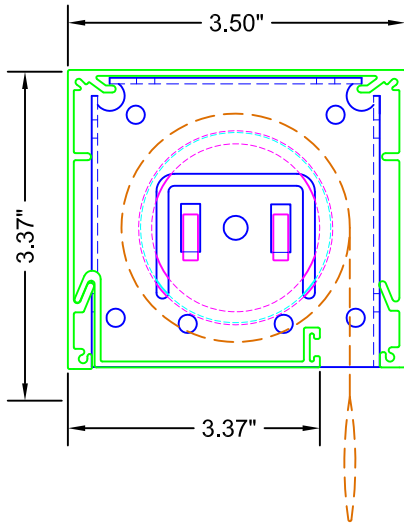
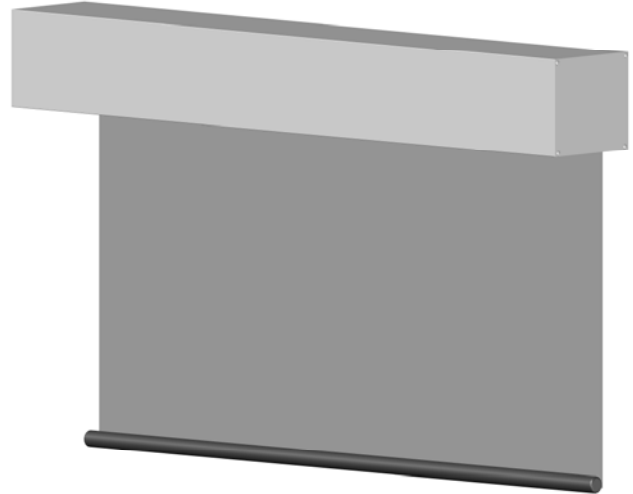
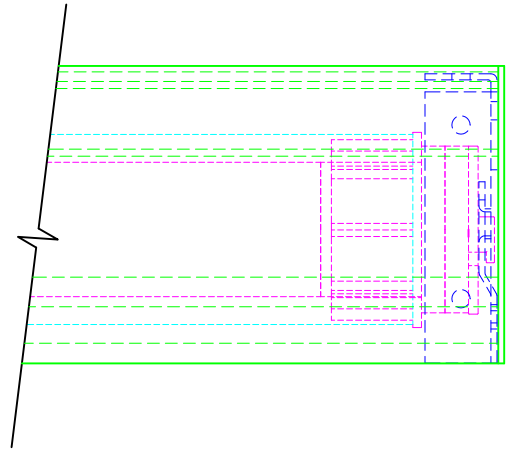


**TOP VIEW**



**SIDE VIEW**



**FRONT VIEW**

**LEGEND**

- 3" HEAD BOX
- 3" BRACKET
- ALTUS40 MOTOR
- 2" ALUMINUM TUBE
- - - FABRIC W/ HEM BAR



3117 NW 25th Ave, Phone: 954.974.0525  
 Pompano Beach, FL 33069 Fax: 954.974.0529

DESCRIPTION:

**ALTUS40  
 MOTORIZED SHADE**

\*SHOWN ON 3" CONTRACT SERIES

SCALE: 6" = 1'-0"

DATE: 7/10/2012

SHEET NO:

**R-11.13**