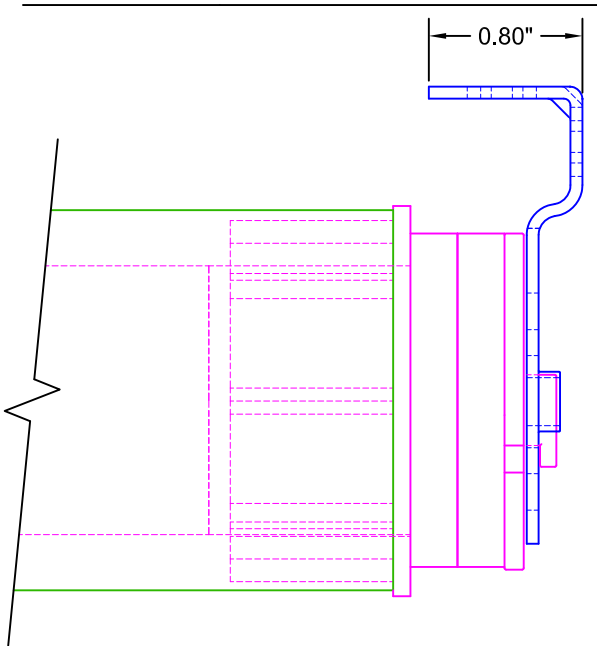
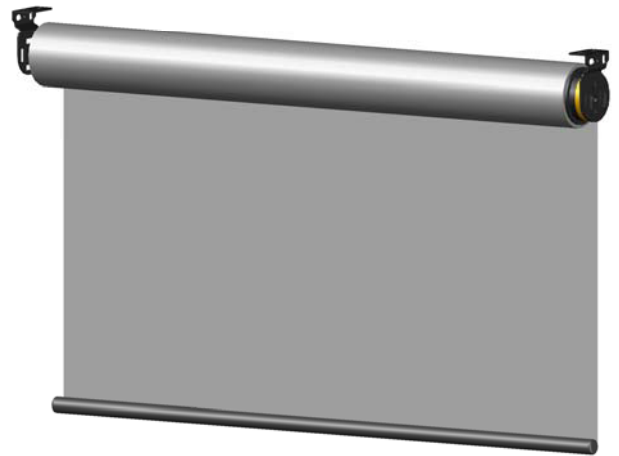
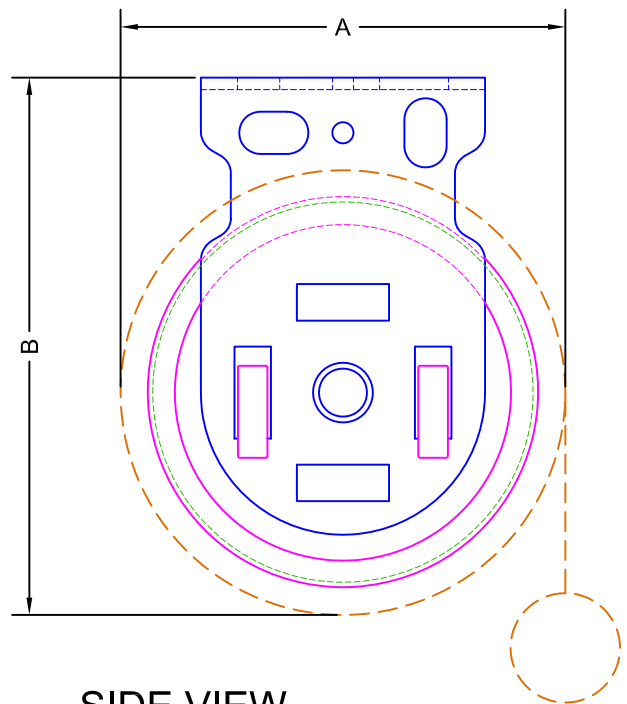


TOP VIEW



FRONT VIEW



SIDE VIEW

SHADE HEIGHT	A	B
36"	± 2.38"	± 2.83"
48"	± 2.49"	± 2.88"
60"	± 2.60"	± 2.94"
72"	± 2.70"	± 2.99"
84"	± 2.80"	± 3.04"
96"	± 2.90"	± 3.09"

NOTE: DIMENSIONS BASED ON PHIFER SHEARWEAVE 4000 FABRIC

LEGEND

- 1.5" LEGACY BRACKET
- ALTUS40 MOTOR
- 2" ALUMINUM TUBE
- - - FABRIC W/ BOTTOM RAIL



3117 NW 25th Ave, Phone: 954.974.0525
 Pompano Beach, FL 33069 Fax: 954.974.0529

DESCRIPTION:

**ALTUS40
 MOTORIZED SHADE**

*SHOWN ON 1.5" LEGACY SYSTEM

SCALE: 1" = 1"

DATE: 7/10/2012

SHEET NO:

R-11.1