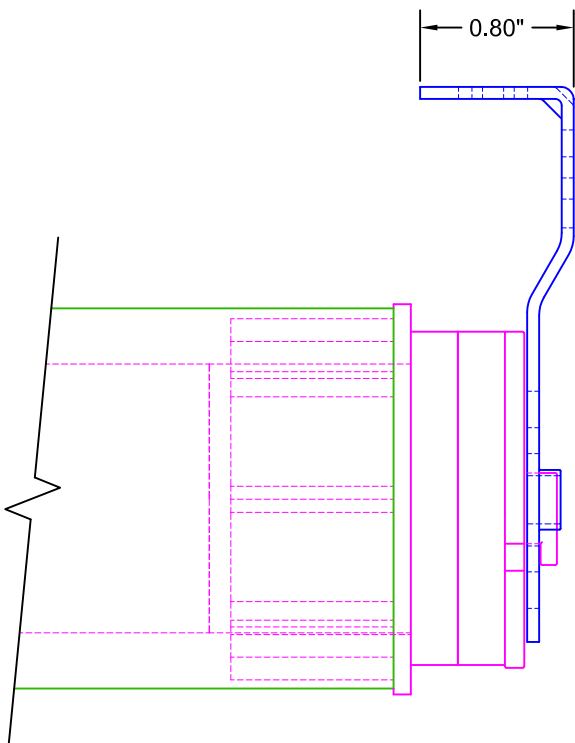
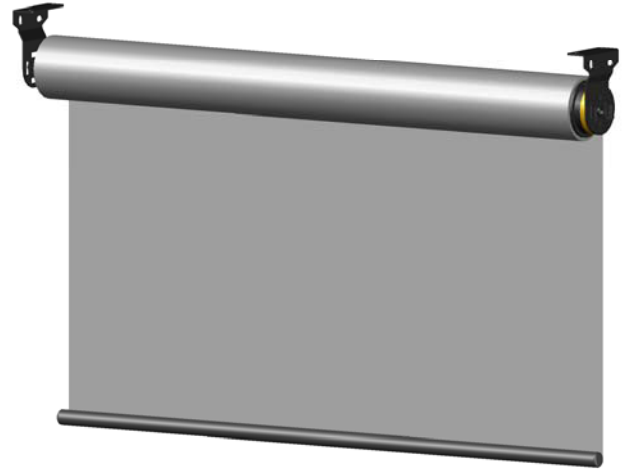
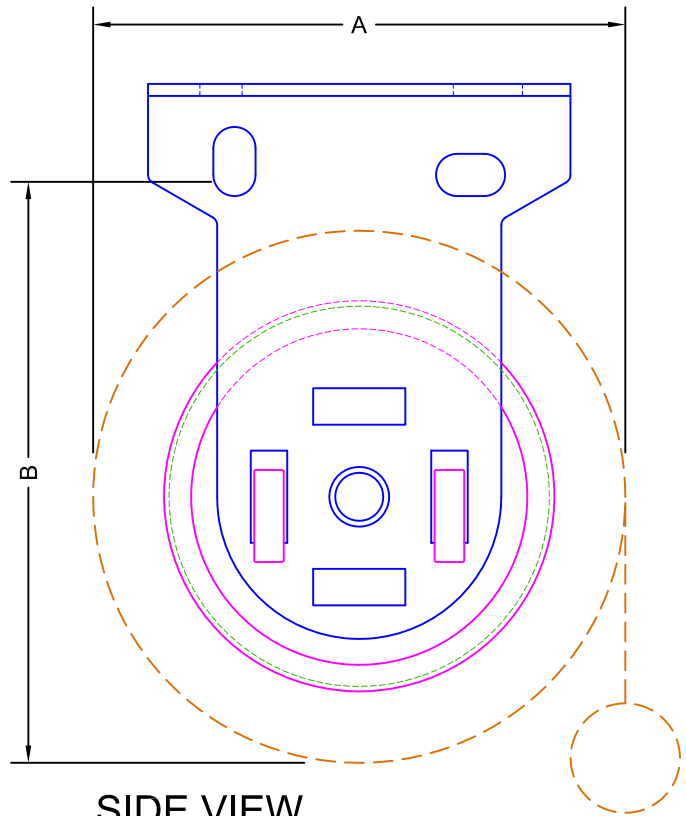


TOP VIEW



FRONT VIEW



SIDE VIEW

SHADE HEIGHT	A	B
108"	± 2.99"	± 3.14"
120"	± 3.08"	± 3.18"
132"	± 3.17"	± 3.23"
144"	± 3.26"	± 3.27"

NOTE: DIMENSIONS BASED ON PHIFER SHEARWEAVE 4000 FABRIC

LEGEND

- 2" LEGACY BRACKET
- ALTUS40 MOTOR
- 2" ALUMINUM TUBE
- FABRIC W/ BOTTOM RAIL



3117 NW 25th Ave, Phone: 954.974.0525
 Pompano Beach, FL 33069 Fax: 954.974.0529

DESCRIPTION:

**ALTUS40
 MOTORIZED SHADE**

*SHOWN ON 2" LEGACY SYSTEM

SCALE: 1" = 1"

DATE: 7/10/2012

SHEET NO:

R-11.2