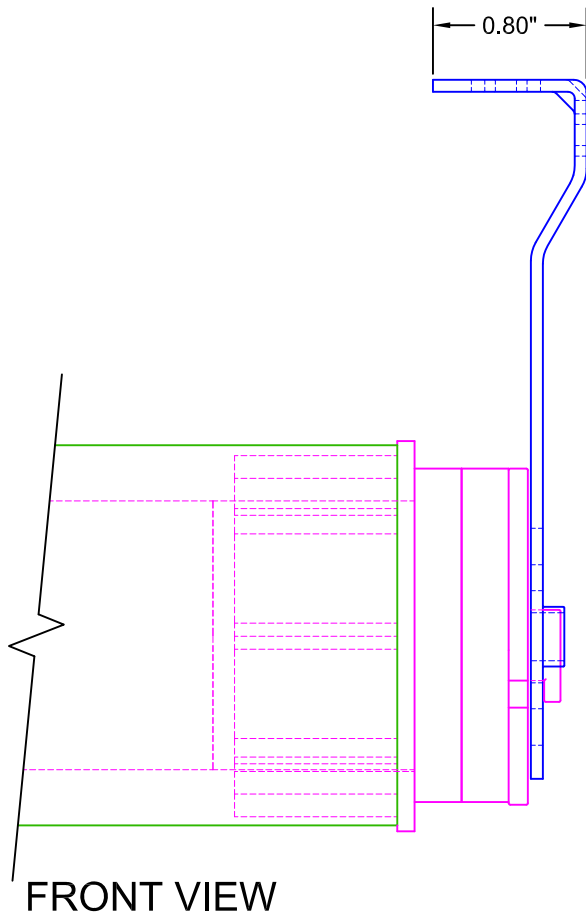
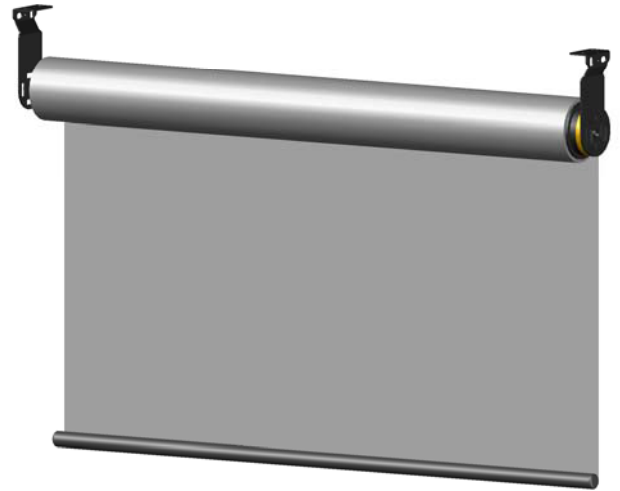
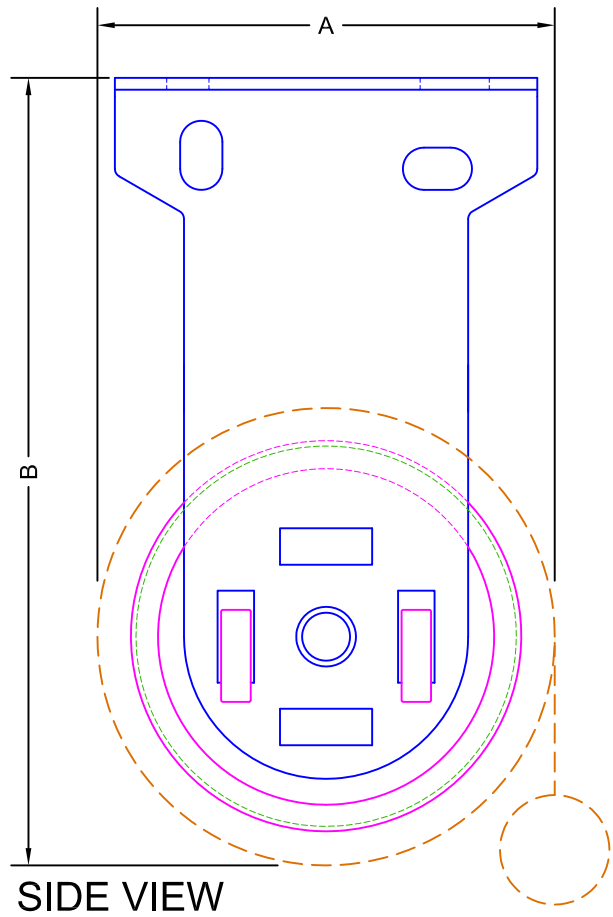


TOP VIEW



FRONT VIEW



SIDE VIEW

SHADE HEIGHT	A	B
144"	± 3.26"	± 4.54"
160"	± 3.37"	± 4.60"
172"	± 3.45"	± 4.64"

NOTE: DIMENSIONS BASED ON PHIFER SHEARWEAVE 4000 FABRIC

LEGEND	
	2.875" LEGACY BRACKET
	ALTUS40 MOTOR
	2" ALUMINUM TUBE
	FABRIC W/ BOTTOM RAIL



3117 NW 25th Ave, Phone: 954.974.0525
 Pompano Beach, FL 33069 Fax: 954.974.0529

DESCRIPTION:

ALTUS40 MOTORIZED SHADE

*SHOWN ON 2.875" LEGACY SYSTEM

SCALE: 1" = 1"

DATE: 7/10/2012

SHEET NO:

R-11.3