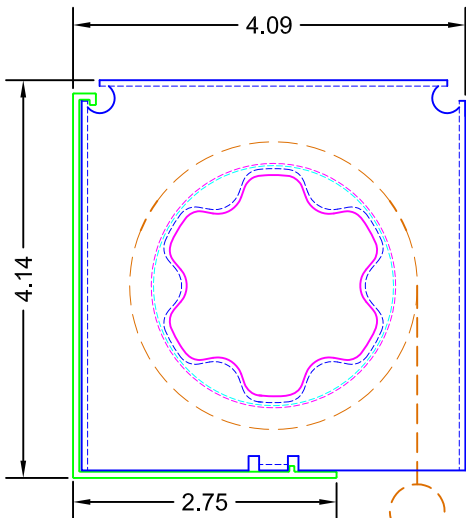
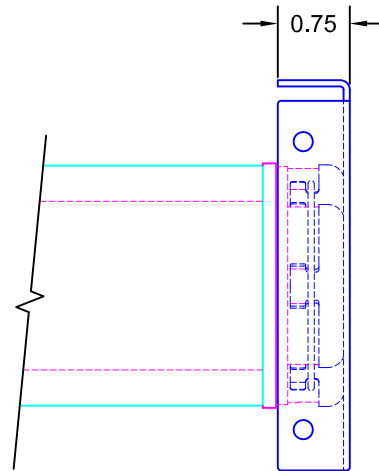


TOP VIEW



SIDE VIEW



FRONT VIEW

LEGEND

- LT50 4" BRACKET
- 2.5" ALUMINUM TUBE
- - - ALTUS 50 MOTOR
- - - FABRIC W/ BOTTOM RAIL
- FASCIA



3117 NW 25th Ave, Phone: 954.974.0525
 Pompano Beach, FL 33069 Fax: 954.974.0529

DESCRIPTION:

**ALTUS 50
 MOTORIZED SHADE**

*SHOWN WITH 4" FASCIA SYSTEM

SCALE: 6" = 1'-0"

DATE: 7/3/2012

SHEET NO:

R-12.2