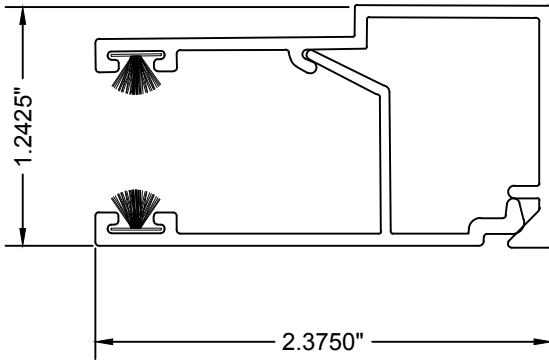
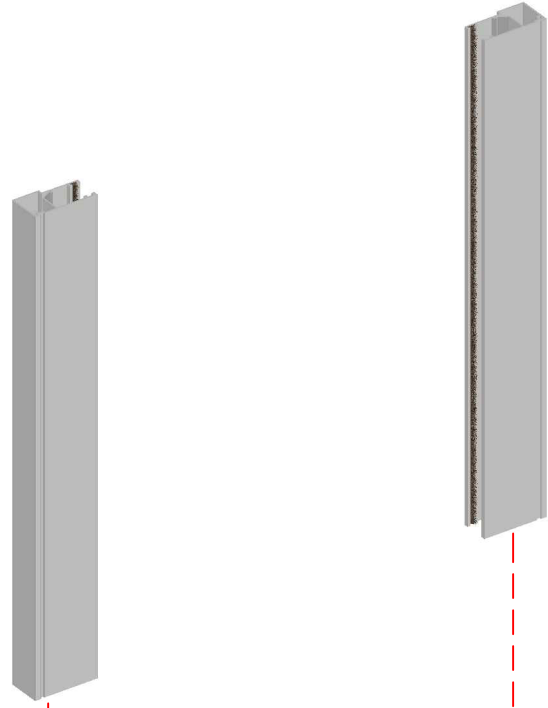


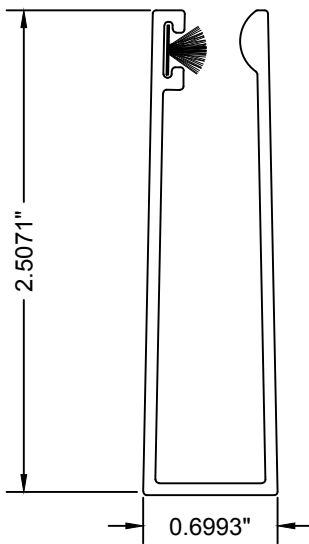
OPTIONAL SIDE CHANNELS:



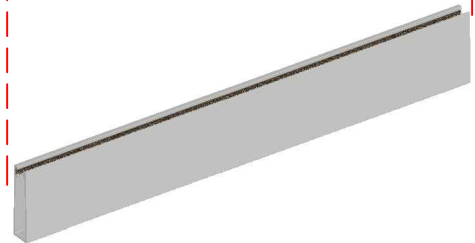
TOP VIEW



OPTIONAL BOTTOM CHANNEL:



SIDE VIEW



3117 NW 25th Ave, Phone: 954.974.0525
Pompano Beach, FL 33069 Fax: 954.974.0529

DESCRIPTION:

OPTIONAL SIDE & BOTTOM CHANNELS

SCALE: 6" = 1'-0"

DATE: 4/2/2012

SHEET NO:

R-6.4