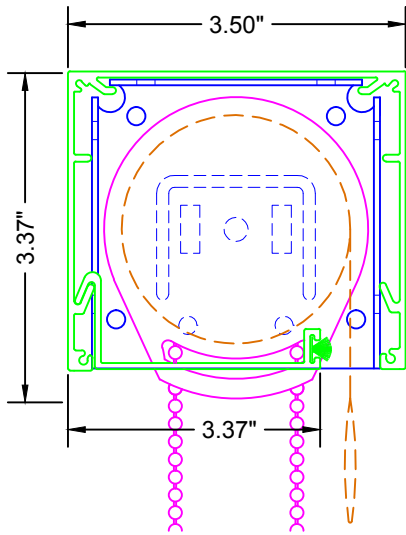
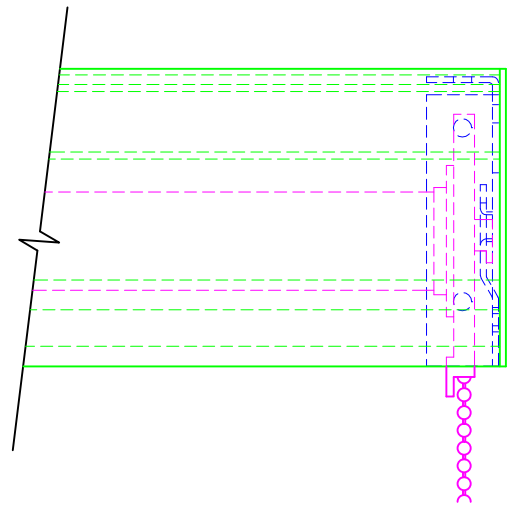


TOP VIEW



SIDE VIEW



FRONT VIEW

LEGEND	
	3" SHADE ENCLOSURE
	3" BRACKET- <small>SEE R-2.1 FOR DIMENSIONS</small>
	SL-20 CLUTCH
	FABRIC W/ HEM BAR



3117 NW 25th Ave, Phone: 954.974.0525
 Pompano Beach, FL 33069 Fax: 954.974.0529

DESCRIPTION:

**3" CONTRACT SERIES
 WITH OPTIONAL SIDE
 CHANNELS**

SCALE: 6" = 1'-0"

DATE: 4/2/2012

SHEET NO:

R-6.5