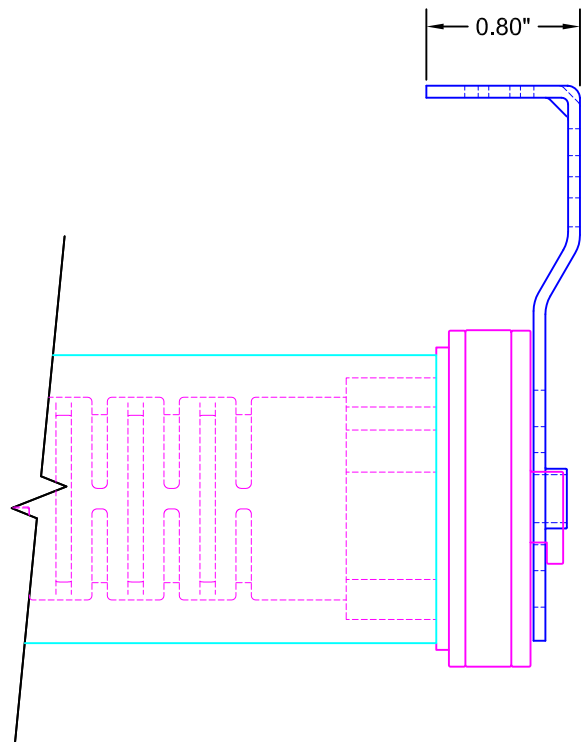
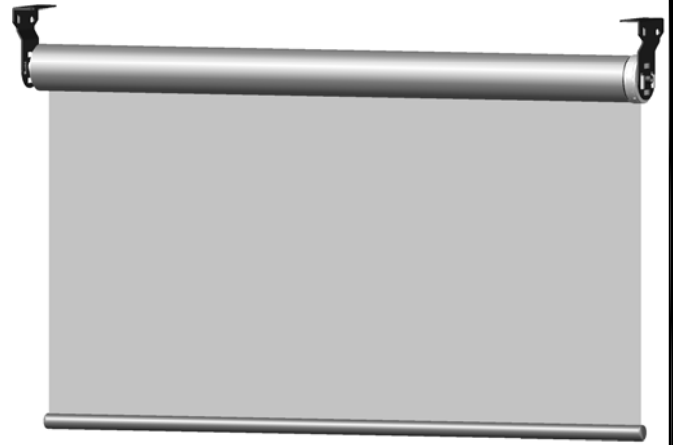
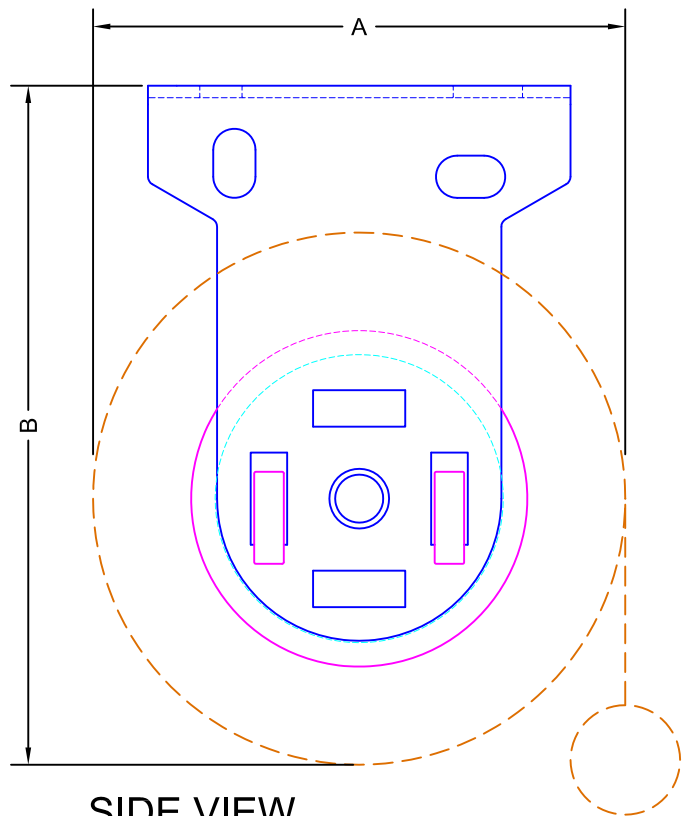


TOP VIEW



FRONT VIEW



SIDE VIEW

SHADE HEIGHT	A	B
108"	± 2.68"	± 3.49"
120"	± 2.78"	± 3.54"
132"	± 2.88"	± 3.59"
144"	± 2.97"	± 3.64"

NOTE: DIMENSIONS BASED ON PHIFER SHEARWEAVE 4000 FABRIC

LEGEND

- 2" LEGACY BRACKET
- SONESSE 30 MOTOR
- 1.5" ALUMINUM TUBE
- FABRIC W/ BOTTOM RAIL



3117 NW 25th Ave, Phone: 954.974.0525
 Pompano Beach, FL 33069 Fax: 954.974.0529

DESCRIPTION:

**SONESSE 30
 MOTORIZED SHADE**

*SHOWN ON 2" LEGACY SYSTEM

SCALE: 1" = 1"

DATE: 7/10/2012

SHEET NO:

R-9.2