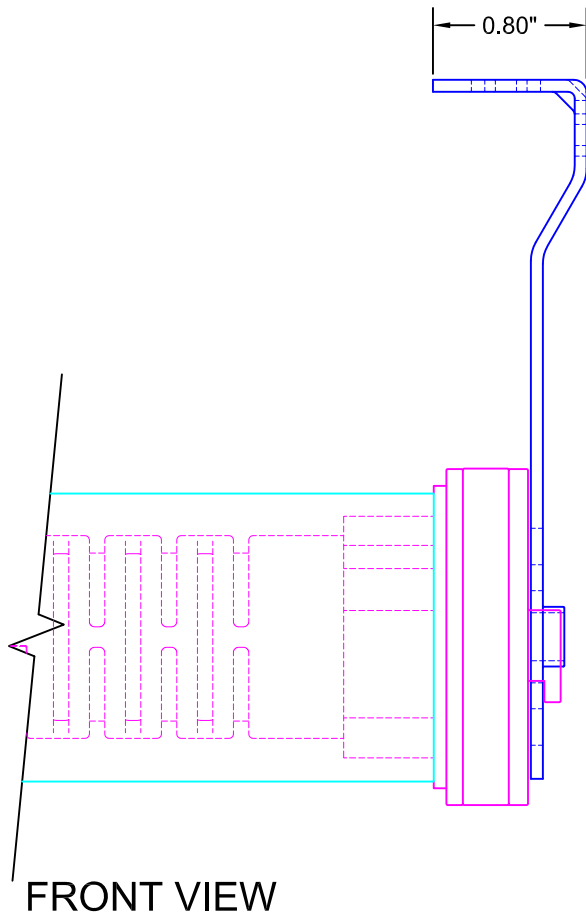
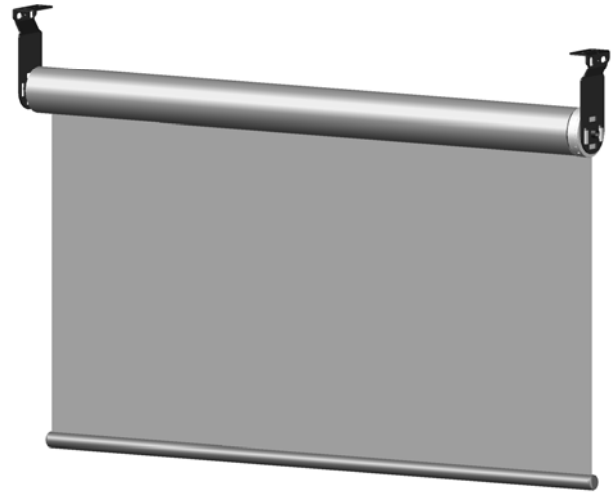
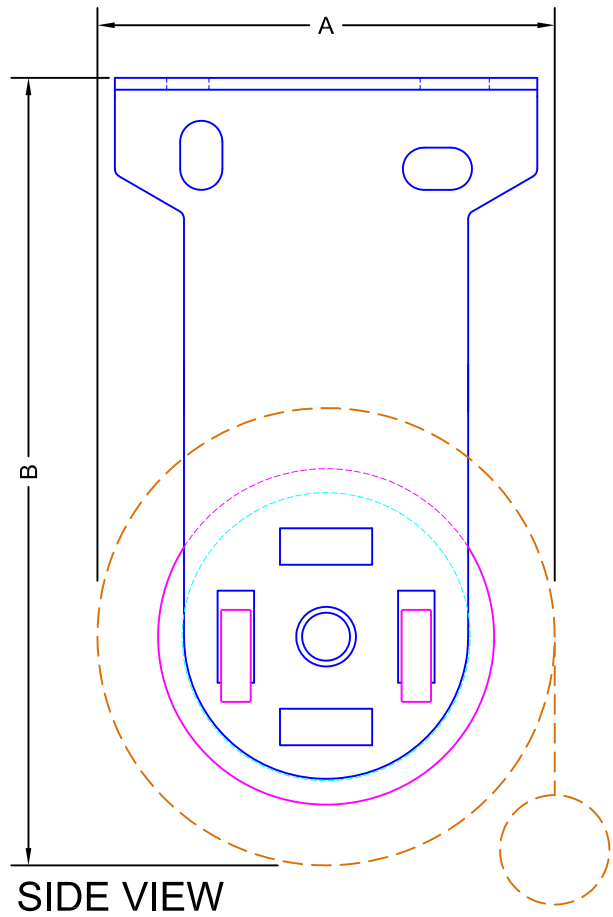


TOP VIEW



FRONT VIEW



SIDE VIEW

SHADE HEIGHT	A	B
120"	± 2.78"	± 4.30"
132"	± 2.88"	± 4.35"
144"	± 2.97"	± 4.40"

NOTE: DIMENSIONS BASED ON PHIFER SHEARWEAVE 4000 FABRIC

LEGEND	
	2.875" LEGACY BRACKET
	SONESSE 30 MOTOR
	1.5" ALUMINUM TUBE
	FABRIC W/ BOTTOM RAIL



3117 NW 25th Ave, Phone: 954.974.0525
 Pompano Beach, FL 33069 Fax: 954.974.0529

DESCRIPTION:

SONESSE 30 MOTORIZED SHADE

*SHOWN ON 2.875" LEGACY SYSTEM

SCALE: 1" = 1"

DATE: 7/10/2012

SHEET NO:

R-9.3